

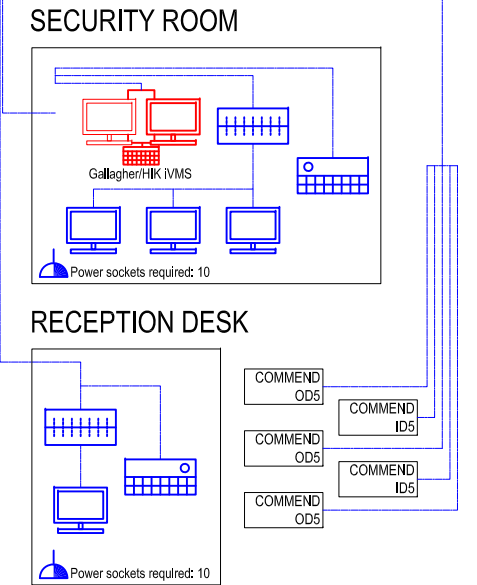
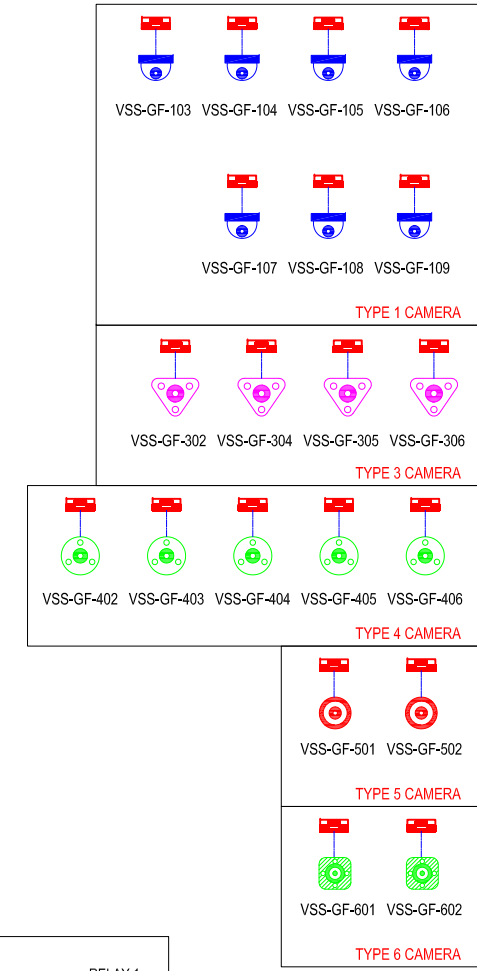
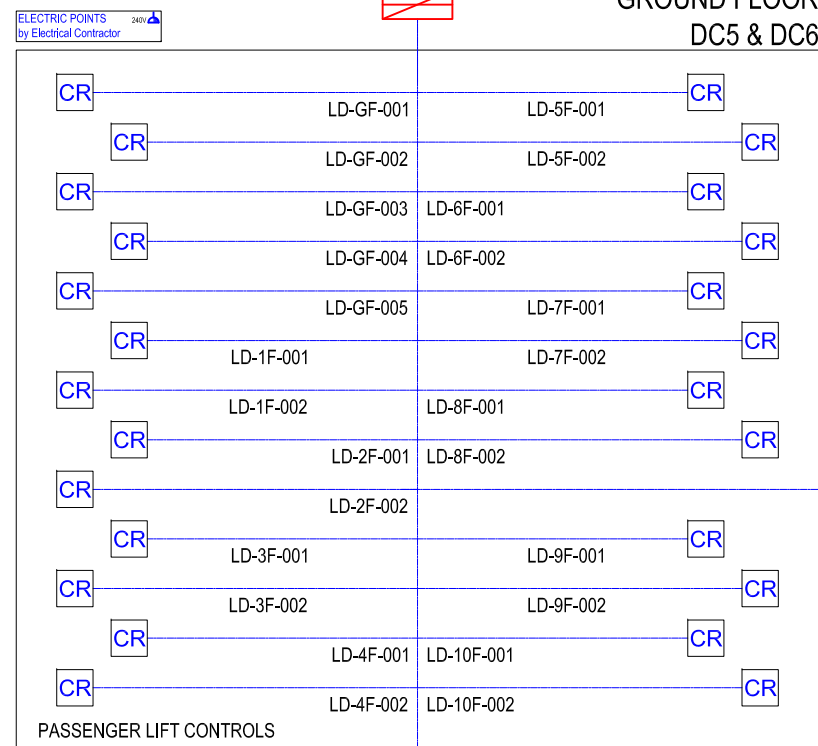
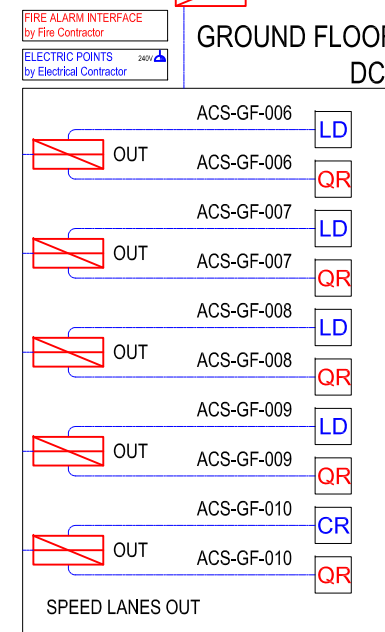
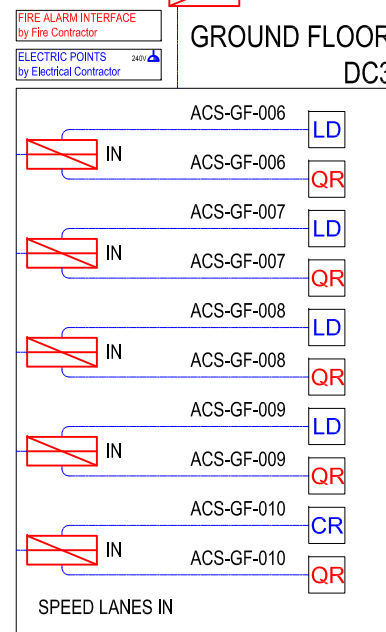
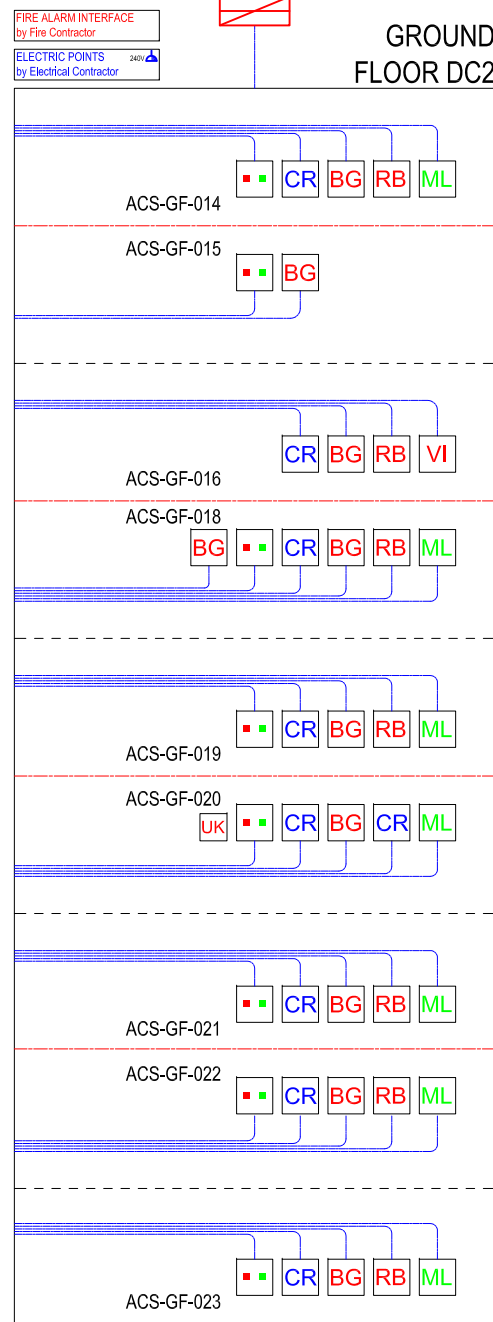
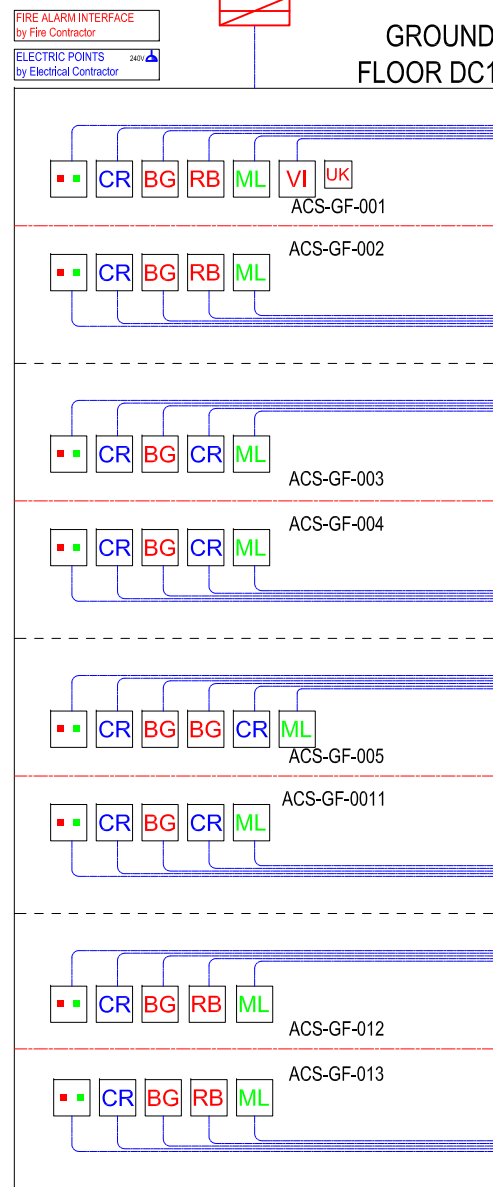
GROUND FLOOR

CNS PoE By Others - Port Allocation as advised by CNS Contractor

GROUND FLOOR
RISER 24

POE SWITCH

Local Data Points provided
by CNS Contractor



- KEY**
- TYPE 1 - DOME CAMERA
 - TYPE 2 - OUTDOOR DOME CAMERA
 - TYPE 3 - FISHEYE DOME CAMERA
 - TYPE 4 - 180°/360° DOME CAMERA
 - TYPE 5 - THERMAL TURRET CAMERA
 - TYPE 6 - 4 DIR. MULTISENSOR CAMERA
 - VIDEO INTERCOM
 - CCTV VIEWING STATION
 - CARD READER
 - RELEASE BUTTON
 - INTRUDER ALARM KEYPAD
 - ACCESS CONTROL WORKSTATION
 - BREAK GLASS
 - MAGLOCK
 - DOOR CONTACT
 - QR CODE READER
 - PANIC SIREN
 - PANIC BUTTON
 - DEVICE ID NUMBER
 - OPTIC FIBRE CABLE
 - CAT 6 CABLE
 - CONTROL
 - SWITCH
 - MONITOR
 - PATCH POINT
 - COMPUTER
 - PATCH PANEL
 - DECODER
 - GALLAGHER CONTROLLER 8000
 - ETHERNET SOCKET
 - UNINTERRUPTED POWER SUPPLY

REV DATE	BY REVISIONS	KEY PLAN	NOTES	SPECIALIST DESIGNER
PROJECT TITLE		DRAWING TITLE		
CLIENT		DRAWING NUMBER		Rev
Scale	Date	Drawn	Checked	